

TB228

Standard UK Specification - Long Dipper/Rubber Tracks

Engine	
Make	Yanmar
Model	3TNV82A
Rated Output (kW/rpm)	17.5/2400
Maximum Torque (Nm)	78.4-85.3
Cylinders	3
Displacement (cc)	1331
Electrical System	12volts 40amp

Dimensions & Weight	
Operating Weight inclusive of bucket and fuel (kg)	2900
Overall Length (mm) for transport	4405
Width (mm)	1460
Height (mm)	2445
Ground Clearance (mm)	300
Min. Front Swing Radius (mm)	1485
Slew Radius (mm)	1285
Dozer Blade (W x H) (mm)	1450 x 300

Operating Information	
Max Digging Depth (mm)	2875
Max Dump Height (mm)	3190
Max Reach at Ground Level (mm)	4720
Max Reach at Vertical Digging Depth (mm)	3325
Max Bucket Digging Force (kN)	21
Max Arm Digging Force (kN)	12.9

Hydraulic System	
Set Pressure (bar)	210
Pump Type	Variable x 2 +Gear x 2
Hydraulic Flow Aux Port (l/min)	51

Swing System	
Boom Swing Angle (L/R)	80°/60°
Slew Speed (rpm)	10
Slew Motor	Piston
Slew Brake	Disc

Undercarriage	
Traction Motor	Axial Piston
Traction Drive	Planetary
Traction Brake	Disc
Track Width (mm)	300
Ground Contact Length (mm)	1440
Ground Pressure (kpa)	29.5
Travel Speed (km/h)	2.8/4.9
Maximum Gradeability	30°

Capacities	
Hydraulic System (l)	56
Fuel Tank (l)	53
Engine Lubrication (l)	3.6
Cooling System (l)	4.2

TB235

Standard UK Specification - Long Dipper/Rubber Tracks

Engine	
Make	Yanmar
Model	3TNV88
Rated Output (kW/rpm)	21.5/2400
Maximum Torque (Nm)	98.6-107.4
Cylinders	3
Displacement (cc)	1642
Electrical System	12volts 40amp

Dimensions & Weight	
Operating Weight inclusive of bucket and fuel (kg)	3580
Overall Length (mm) for transport	5020
Width (mm)	1630
Height (mm)	2450
Ground Clearance (mm)	295
Min. Front Swing Radius (mm)	1535
Slew Radius (mm)	1395
Dozer Blade (W x H) (mm)	1630 x 395

Operating Information	
Max Digging Depth (mm)	3400
Max Dump Height (mm)	3815
Max Reach at Ground Level (mm)	5345
Max Reach at Vertical Digging Depth (mm)	3680
Max Bucket Digging Force (kN)	27
Max Arm Digging Force (kN)	16.0

Hydraulic System	
Set Pressure (bar)	210
Pump Type	Variable x 2 +Gear x 2
Hydraulic Flow Aux Port (l/min)	62

Swing System	
Boom Swing Angle (L/R)	80°/60°
Slew Speed (rpm)	10
Slew Motor	Piston
Slew Brake	Disc

Undercarriage	
Traction Motor	Axial Piston
Traction Drive	Planetary
Traction Brake	Disc
Track Width (mm)	350
Ground Contact Length (mm)	2110
Ground Pressure (kpa)	27.9
Travel Speed (km/h)	2.8/5
Maximum Gradeability	30°

Capacities	
Hydraulic System (l)	67
Fuel Tank (l)	53
Engine Lubrication (l)	4.7
Cooling System (l)	8.7

TB250

Standard UK Specification - Long Dipper/Rubber Tracks

Engine	
Make	Yanmar
Model	4TNV88
Rated Output (kW/rpm)	28.4/2400
Maximum Torque (Nm)	131-143.4
Cylinders	4
Displacement (cc)	2185
Electrical System	12volts 40amp

Dimensions & Weight	
Operating Weight inclusive of bucket and fuel (kg)	4980
Overall Length (mm) for transport	5550
Width (mm)	1840
Height (mm)	2515
Ground Clearance (mm)	335
Min. Front Swing Radius (mm)	1740
Slew Radius (mm)	1435
Dozer Blade (W x H) (mm)	1840 x 430

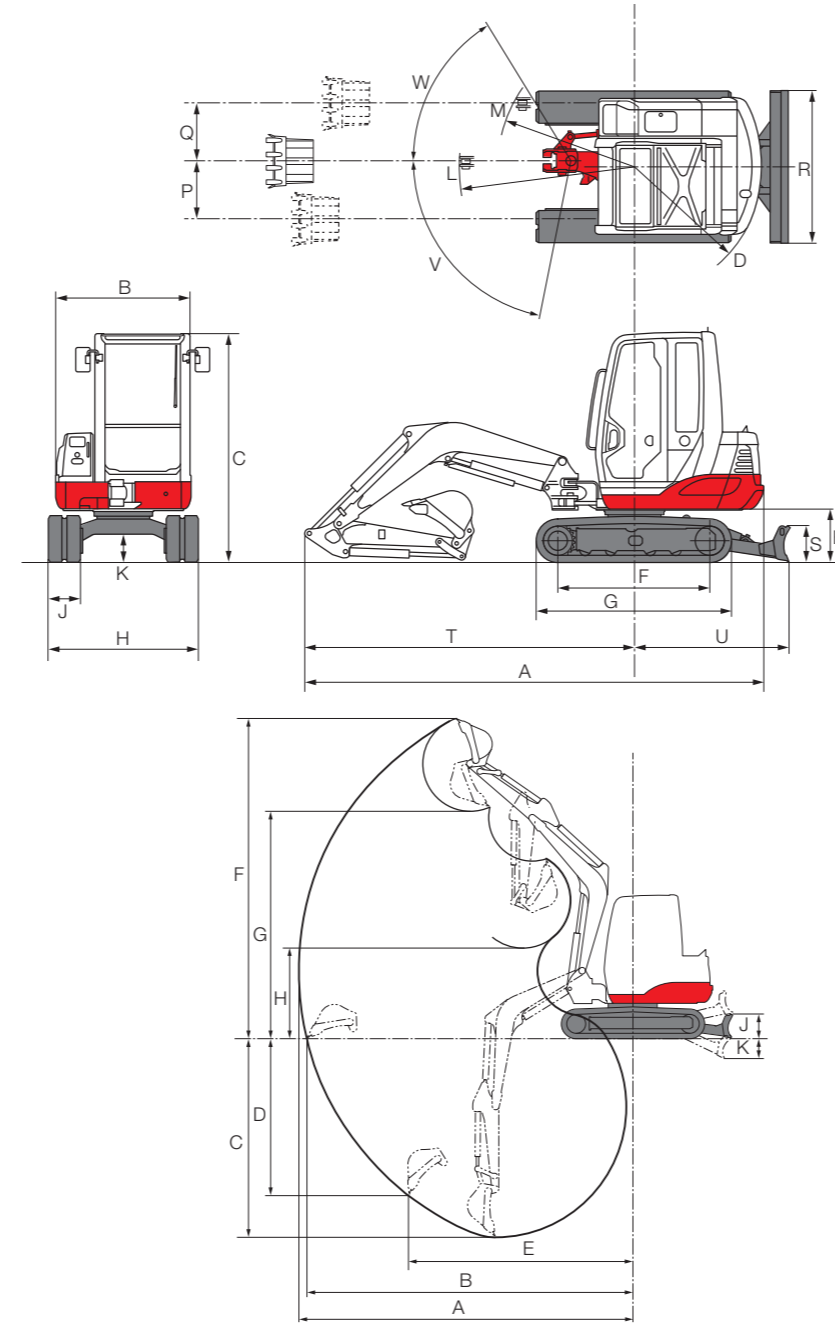
Operating Information	
Max Digging Depth (mm)	3785
Max Dump Height (mm)	4175
Max Reach at Ground Level (mm)	5995
Max Reach at Vertical Digging Depth (mm)	4055
Max Bucket Digging Force (kN)	37.2
Max Arm Digging Force (kN)	22.9

Hydraulic System	
Set Pressure (bar)	210
Pump Type	Variable x 2 +Gear x 2
Hydraulic Flow Aux Port (l/min)	96

Swing System	
Boom Swing Angle (L/R)	80°/60°
Slew Speed (rpm)	9.8
Slew Motor	Piston
Slew Brake	Disc

Undercarriage	
Traction Motor	Axial Piston
Traction Drive	Planetary
Traction Brake	Disc
Track Width (mm)	400
Ground Contact Length (mm)	1985
Ground Pressure (kpa)	28.1
Travel Speed (km/h)	2.8/5.2
Maximum Gradeability	30°

Capacities	
Hydraulic System (l)	88
Fuel Tank (l)	73
Engine Lubrication (l)	7.4
Cooling System (l)	12.4



Dimensions Long Arm Rubber Crawlers

Item	TB228	TB235	TB250
A Length (mm)	4460	5020	5550
B Width (mm)	1460	1630	1840
C Height in Transport (mm)	2445	2450	2515
D Slew Radius (mm)	1285	1395	1435
E Clearance Height (mm)	565	570	630
F Crawler Base (mm)	1440	1655	1985
G Crawler Length (mm)	1895	2110	2500
H Machine Width (mm)	1450	1630	1840
J Track Width (mm)	300	350	400
K Ground Clearance (mm)	300	295	335
L Minimum Radius of Equipment & Attachment (mm)	1885	1950	2235
M Minimum Radius of Equipment at Maximum Front Offset (mm)	1495	1535	1740
P Offset Left (mm)	540	615	715
Q Offset Right (mm)	560	620	710
R Dozer Width (mm)	1450	1630	1840
S Dozer Height (mm)	300	395	430
T Front Distance to Axis of Rotation (mm)	3135	3625	4150
U Dozer Blade Distance to Axis of Rotation (mm)	1240	1655	1720
V Offset Swing Angle LH	80°	80°	80°
W Offset Swing Angle RH	60°	60°	60°

Operating Ranges Long Arm Rubber Crawlers

Item	TB228	TB235	TB250
A Maximum Reach (mm)	4850	5465	6135
B Maximum Reach at Ground (mm)	4720	5345	5995
C Maximum Digging Depth (mm)	2875	3400	3785
D Maximum Vertical Digging Depth (mm)	2190	2600	2990
E Reach at Maximum Vertical Digging Depth (mm)	3325	3680	4055
F Maximum Height of Cutting Edge (mm)	4450	5240	5800
G Maximum Dumping Height (mm)	3190	3815	4175
H Minimum Dumping Height (mm)	985	1150	1295
J Dozer Blade Maximum Lifting (mm)	250	390	435
K Dozer Blade Maximum Lowering (mm)	280	405	355

For more information locally call us direct, or contact:



Takeuchi Mfg (UK) Ltd, Unit E2B Kingsway Business Park, John Boyd Dunlop Drive, Rochdale, Lancashire OL16 4NG
Tel: 01706 657 722 Fax: 01706 657 744

Southern Depot at 20 Colthrop Business Park Colthrop Lane, Thatcham, Newbury, Berks RG19 4NB
Tel: 01635 877 196 Fax: 01635 877 195

www.takeuchi-mfg.co.uk Email: sales@takeuchi-mfg.co.uk

*Warranty exceptions to 1 year: fuel injection systems, electrical components, paint work.

In accordance with our established policy of constant improvement, we reserve the right to amend these specifications at any time without notice. Photographs shown may feature non-standard equipment.



POWERFUL
COMPACT
EXCAVATORS

TAKEUCHI
Japanese for reliability

TAKEUCHI
Japanese for reliability



3, 3.5 and 5 tonne Takeuchi Compact Mini Excavators - powerful performers

The TB228, TB235 and TB250 compact mini excavators bring operators the most comfortable operation and powerful digging performance.

Weighing in at 2900kg, 3580kg and 4980kg the latest Takeuchi mini excavators offer massive operating capacity in a compact sized excavator even in the toughest, tightest working conditions.

Performing with massive bucket breakout force the new Takeuchi's comfortably work well above expectations in their weight class.

Designed for maximum operator comfort and easy operation, all the new styled Takeuchi's have roomier cabs, adjustable seating and foot room, alongside well positioned controls and maximum 360° visibility.

All models are powered by interim tier four engines, meeting all the latest emission and noise requirements essential for on-site health and safety.

IMPROVED VISIBILITY WITH NEW STYLED CAB

The distinctive styled cab provides a very comfortable working environment.

The front window easily retracts into the roof (gas-strut assist) and the front base window is easy to remove and store behind the seat.

Operators have the advantage of improved 360° visibility with three well positioned cab mirrors one internal and two external.

A one piece toughened glass door, improves visibility, and is much cheaper to replace in the event of site damage.



MAXIMUM OPERATOR COMFORT

The new stylish cab comes with a fully adjustable seat and arm rests for all sizes of operator, in fact the new Takeuchi cab is at least 12% bigger than old models.

Operators get maximum operator comfort with a

radio/ MP3 socket, drinks holder and additional foot and storage room.

Air conditioning options available on the TB235 and TB250.

All models fitted with both foot pedal and hand travel lever controls. Operators familiar with larger excavators often prefer traditional foot pedals to hand lever options.

A two speed tracking switch is incorporated into the right hand tracking lever. Operators can be quick around site and safe with automatic deceleration from second to first gear when turning.

ADDED GRADEABILITY WITH IMPROVED DOZER BLADE

The new styled dozer blade makes all the difference when grading. With added height and greater curve the new dozer blade reduces overflow of material and adds to a good finished area.

Positioned at the back for added balance when digging.



ENHANCED AUXILIARY CONTROLS FOR ATTACHMENTS

Two way auxiliary hydraulics plumbed to the boom arm allows alternative tools to be used on site.

Operating and adjusting attachments is easy and controlled.

For auxiliary attachments use the left hand lever or foot pedal. Left controls direct the hydraulic flow to the left or right auxiliary lines.



DESIGNED FOR EASY SERVICE

All models feature the unique tilt-up cab for easy access to critical service areas.

Featuring an easy refuelling point, access at ground level to service points and a well positioned hour meter – no more climbing into the cab.

Good warning devices help prevent service issues; battery charge, engine oil pressure, coolant temperature, air cleaner, water temperature and fuel gauge.

Durable design with 100% steel. Sectioned panels around the turntable and engine hood can be easily repaired and replaced.

Across the range Takeuchi minis are uniquely designed for quick and easy service and maintenance



PERFORMANCE

- Two speed tracking and simultaneous cab swing and dig functions all add up to faster working speeds for the range.
- Short pitch rubber tracks add to performance with far less potential for ground damage.
- Emergency shut-off valve - (TB235 and TB250) if the boom cylinder hose for lifting is ruptured, the emergency shut-off valve is activated to prevent the boom from falling rapidly.
- Overload warning device - if a weight greater than the lifting capacity is applied or lifted, the overload warning device is activated and the horn sounds.

OPERATION

A comfortable cab incorporates useful operating features;

- Pilot operated joystick controls and foot pedals makes for easy uncomplicated drive and operation.
- Adjustable seat and arm rests.
- Two way auxiliary hydraulics plumbed to the boom arm allows alternative tools to be used on site.
- Well positioned controls make for comfortable all day operation

SAFETY & SERVICE

- Electronic engine monitoring.
- Automatic fuel bleed system.
- Remote slew lubrication system.
- Vandalism protected lockable fuel tank and engine compartment.
- Hydraulic oil cooler.
- Engine oil Safe Drain system.
- All Takeuchi machines come with a 2 year/2000 hrs warranty as standard (*exceptions apply)

OPTIONS

- Air conditioning (TB235 and TB250)
- QuickHitch
- Auger
- Steel tracks
- Breakers

TB228	TKB101
TB235	TKB101, TKB 301
TB250	TKB 301

On site, Takeuchi compact excavators are best known for reliable performance and regarded as a favourite by many operators for both comfort and control. Takeuchi achieve this with highly engineered reliable and touch sensitive hydraulics.

The light touch gives the operator far more accurate control when digging in tough ground conditions with excellent hydraulic power when required. The higher than average bucket breakout force gets a greater digging performance.

Tip up and operating balance are offset by centrally positioned counterweights. All models offer excellent dig depth 2875, 3400 and 3785mm respectively. The roomy isolated cab minimises the impact felt by the operator.

If you're familiar with Takeuchi compact excavators the new machines offer proven reliability and performance for plant hire, ground works, civils, earthmoving, utilities and much more.

With a reputation for reliability, Japanese build quality makes all the difference.

